

Seal here

For premium payment/loan repayment:

- Please make the cheque payable to "China Life Insurance (Singapore) Pte. Ltd." and write your name and policy number on the back of your cheque.
- Please ensure that the amount in words and numbers are the same.
- Please do not send cash or post-dated cheques.

For form submission:

- Please ensure that all relevant sections of the form are completed.
- Please sign and date the form. The signature must be the same as that maintained in our records.
- If you have recently changed your address or contact number, please provide us with your new particulars by completing our Update of Personal Particulars form.

Thank you for insuring with China Life Insurance (Singapore) Pte. Ltd.

fold here

Postage will be paid by addressee.
For posting in Singapore only.

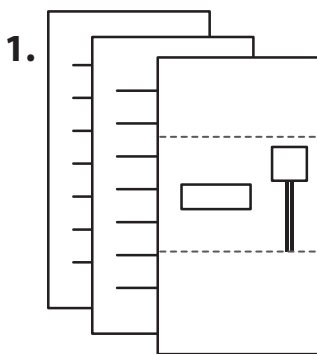
**BUSINESS REPLY SERVICE
PERMIT NO. 09261**



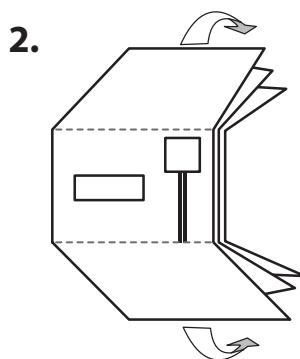
CHINA LIFE INSURANCE (SINGAPORE) PTE. LTD.
1 Raffles Place #46-00
One Raffles Place Tower 1
SINGAPORE 048616

fold here

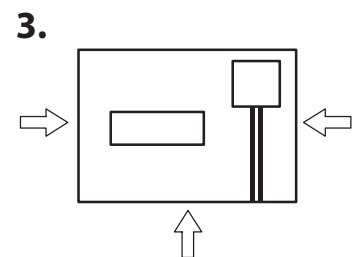
How to use the Business Reply Envelope (BRE)



1. Place all required documents together, with the BRE on top.



2. Fold inwards along the dotted lines as indicated.



3. Seal along edges with clear tape.

Seal here

Seal here

Seal here